

ADA Roll-in Shower APTG6239BF75

62" x 39 1/2" x 78 3/4"

60" x 36" inside dimension

1 piece for new construction

3/4" barrier free threshold with pre-leveled and reinforced shower base for easy installation.

Textured Floor

Full reinforced backing in walls offers strength and easy installation of accessories

Model includes:

- 2 molded soap ledges

Accessories available:

- inside corner bar
- frameless white hdpe fold up seat
- curtain rod and drain.
- collapsible water retainer
- weighted shower curtain
- handheld shower glide bar kit with pressure balanced valve.

Durable, luxurious and easy to clean applied acrylic with smooth wall finish.

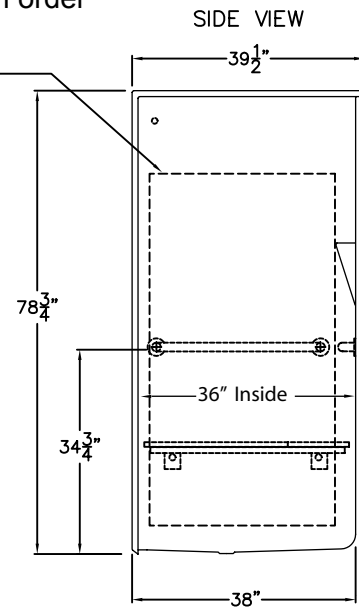
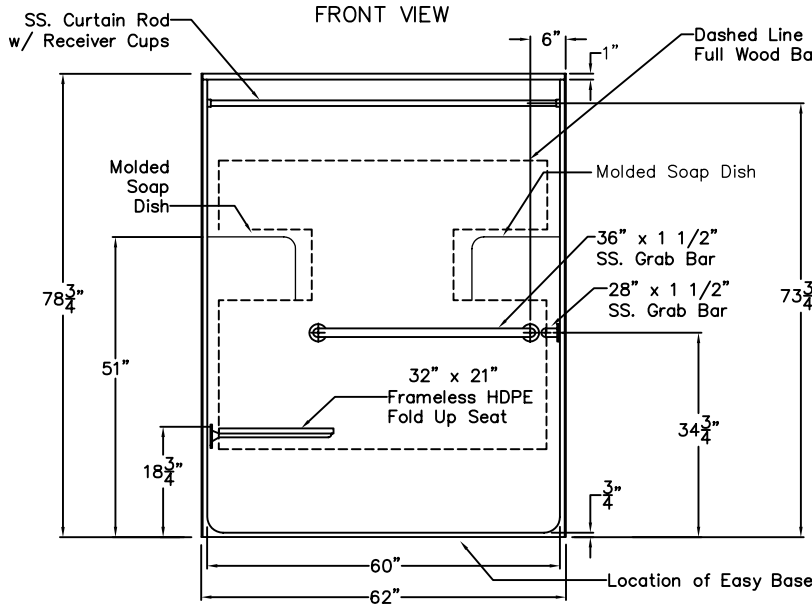
Shower is ADA compliant when installed with available ADAAG accessories.



Shower shown with some available factory installed accessories
Comes standard in white

ADA ROLL IN SHOWER (60" X 36" I.D.)

Submittal Information; All accessories shown are optional
Custom submittal forms completed with each order



Roll-In Shower Stall

The shower enclosure shall be Model APTG 6239 BF center, right or left. Finished surface shall be of an applied acrylic. The base shall be attached to the sump of the unit in such a manner to form an integral part with an inner and outer coating of polyester resin. The unit shall have outside dimensions of 62" x 39 1/2" x 78 3/4". The unit meets ADA, ANSI A117.1, ANSI Z124.1.2, UPC, CSA B45.5, HUD-UM73, and Home Innovation Research Lab.

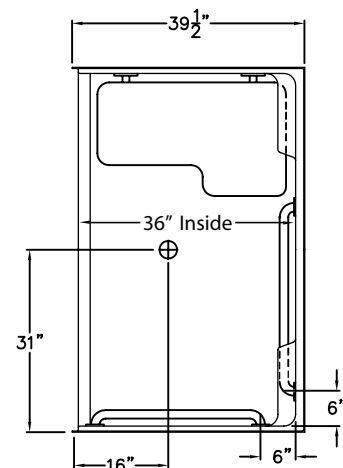
This enclosure can be equipped with the following installed accessories:
1) One 36" x 1 1/2" diameter stainless steel horizontal grab bar on the back wall, 2) One 28" x 1 1/2" diameter stainless steel horizontal grab bar on the side wall, both with 1 1/2" statute clearance, mounted with stainless steel bolts, and secured from the rear with 3" x 3" x 11 gauge metal mounting plates, 3) 32" x 21" frameless white HDPE fold up seat. 4) One one inch diameter stainless steel curtain rod with receiver cups, 5) Full backing on all walls, 6) Factory installed Easy Base self sustaining bottom, 7) 3/4" threshold.

Available Options: 1) Valve package includes: Hand held shower set, swivel connector, 60" flex hose, vacuum breaker, 30" slide bar, wall water outlet fitting, 2) anti-bacterial shower curtain and hooks,

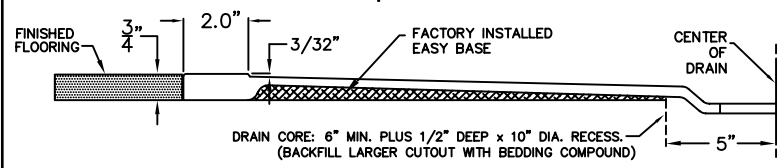
This unit features the outside dimensions of 62" of overall width. This does not allow for full enclosure of the bolts that are used to secure the bars and seat in place. This may require the need to notch studs to allow for bolt clearance for installation. For a dry wall enclosed fire wall installation, adjustment of the wallboard may be necessary to provide clearance of the bolts while maintaining the integrity of the drywall fire wall enclosure.

NOTE: THIS UNIT WILL NOT ACCEPT A DOOR.

TOP VIEW



Detail of 3/4" Threshold



STATE HANDING WHEN ORDERING
HANDED BY THE SEAT
Left Hand Shown, Right Available

DUE TO THE NATURE OF THE MATERIALS
DIMENSIONS MAY VARY ± 1/2"

FACTORY INSTALLATION OF SHOWER ACCESSORIES IS AVAILABLE
MANY ACCESSORY OPTIONS.

Model No: APTG6239BF75

Drawing#: G6239BF .75 SB FHDP CR WC DN EB

Approved by:

Date Approved:

Date: 6-7-07

Revised: 2-10-17

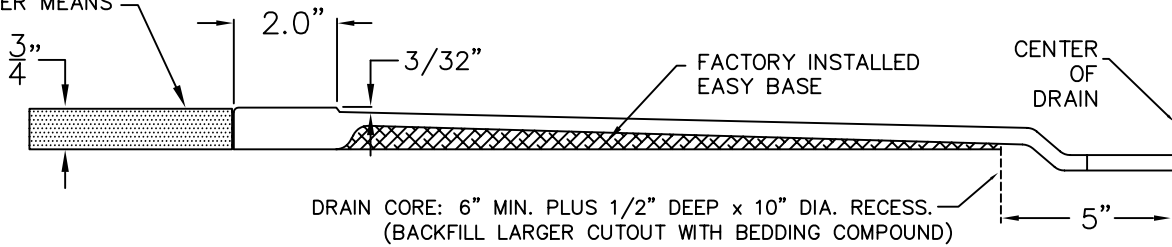
Rep.:

Wholesaler:

Quote No.:

Detail of 3/4" Threshold with Easy Base

BRING FLOOR LEVEL WITH SHOWER USING GYPTOCRETE™ OR BY OTHER MEANS



DUE TO THE NATURE OF THE MATERIALS DIMENSIONS MAY VARY ± 1/2"

Model No: G 6239 BF		Drawing#: G 6239 BF .75 Threshold Details with Easy Base	
Approved by:	Date Approved:	Date: 6-22-07	Revised: 2-10-17
Rep.:	Wholesaler:	Quote No.:	