

Freedom ADA Roll-In Shower 62" x 32"

Model APF6232BF5PLR

62 7/16" x 32 1/4" x 79"

5-piece for remodeling

1" barrier free threshold with pre-leveled and reinforced shower base for easy installation

1 molded soap/foot ledge

Durable, luxurious and easy to clean applied acrylic with tile pattern

Fully reinforced backing in walls offers strength and easy installation of accessories

Accessories available:
Grab bars, folding shower seat, collapsible water retainer, weighted shower curtain and rod, slide bar with handheld shower, pressure balance valve, caulkless drain



Shower shown with available accessories
Shower stall comes standard in white
Made in America

Right drain shown
Lifetime Limited Warranty

Shower is ADA compliant when installed with available ADAAG accessories.



MODEL: APF6232BF5PLR

Freedom ADA Roll-In Shower

Submittal Data

Product Features

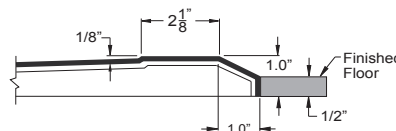
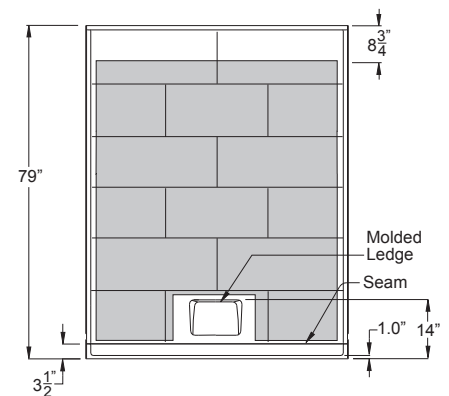
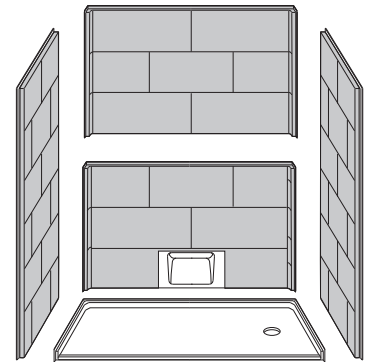
- 62 7/16" x 32 1/4" x 79"
- Interior Dimension: 60 1/16" x 74"
- 5-piece for remodeling
- 1" Barrier free threshold with pre-leveled and reinforced shower base for easy installation
- 1 Molded soap/foot ledge
- Fully reinforced backing on walls
- Durable, luxurious and easy to clean applied acrylic with tile pattern
- Textured slip-resistant floor
- Left or right drain location

Code Compliance

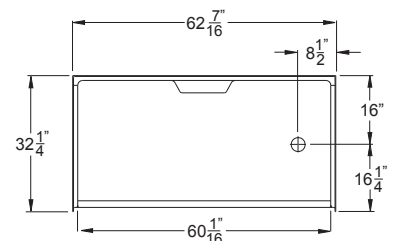
- ADA
- IPC International Plumbing Code
- UPC Uniform Plumbing Code
- ANSI Z124.2 Standards for Plastic Showers
- NAHB
- HUD
- FHA
- CSA

Optional Accessories (Installed at job site)

- Collapsible Water Retainer
- Folding Shower Seat
- Caulkless Drain
- Grab Bars
- Shower Rod and Curtain
- Pressure Balance Valve with hand-held Shower and Slide Bar

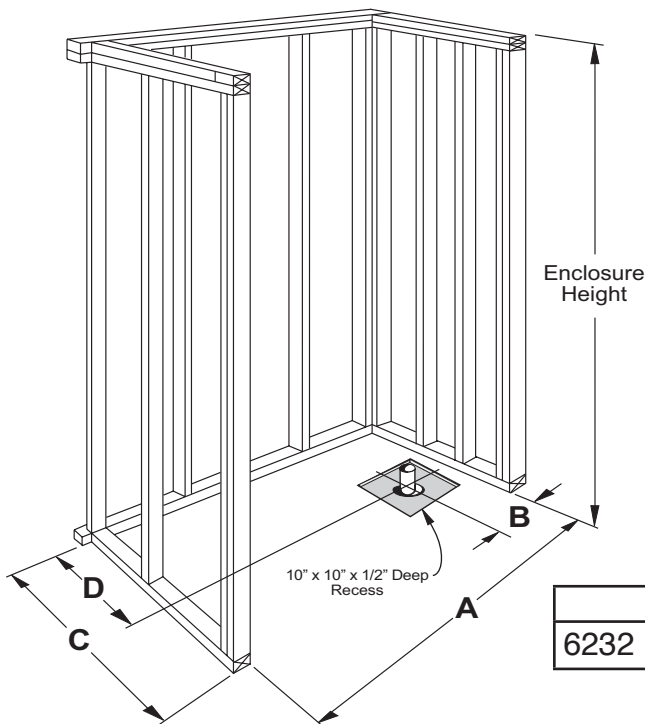
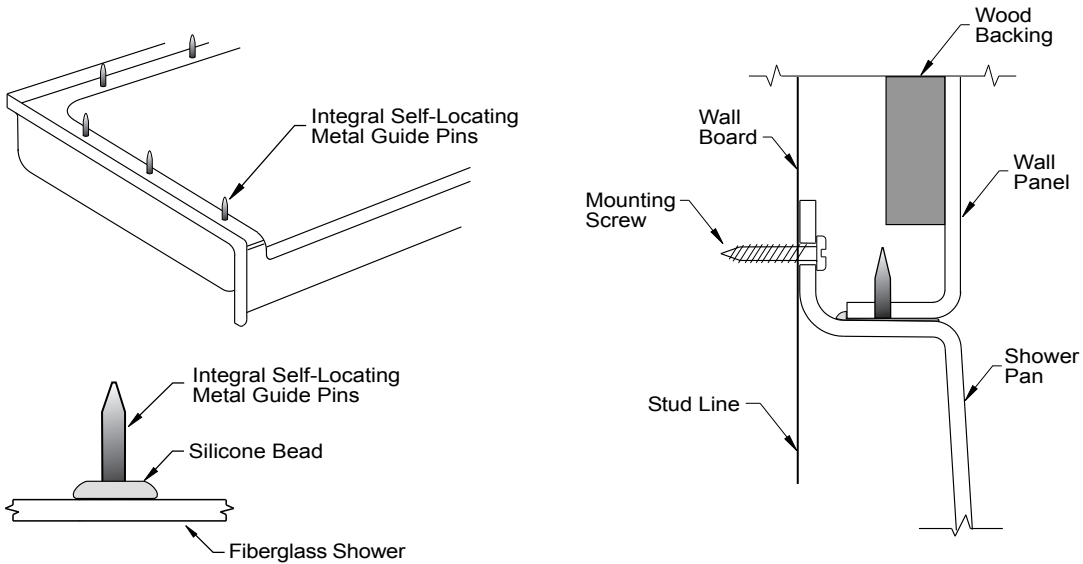


THRESHOLD VIEW



FREEDOM SHOWERS

MODEL: APF6232BF5PLR Freedom ADA Roll-In Shower Submittal Data - Installation



	A	B	C	D
6232 5P	62 11/16"	8 9/16"	32 1/4"	16"