

FREEDOM SHOWERS

Freedom ADA Roll-In Shower



Shower stall comes standard in white
30 Year Manufacturer's Limited Warranty
Shown with optional ADA compliant accessories

Model APF6232BF5P.75
62.625" x 32.25" x 79"

Interior Dimension: 60" x 30"

5-piece for remodeling

0.75" Barrier free, change of level threshold with pre-leveled and reinforced shower base for easy installation

1 Molded soap/foot ledge

Durable, luxurious and easy to clean gelcoat fiberglass with architectural subway tile pattern

Full wood backing in walls offers strength and easy installation of accessories

Accessories available:
Grab bars, folding shower seat, collapsible water retainer, weighted shower curtain and rod, slide bar with handheld shower, pressure balance valve, caulkless drain

FREEDOM SHOWERS

MODEL: APF6232BF5P.75 Freedom ADA Roll-In Shower Submittal Data

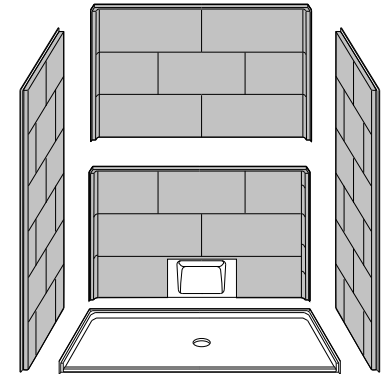
Product Features

- 62.625" x 32.25" x 79"
- Interior Dimension: 60" x 30"
- 5-piece for remodeling
- 0.75" Barrier free, change of level threshold with pre-leveled and reinforced shower base for easy installation
- 1 Molded soap/foot ledge
- Full fiberglass encapsulated wood backing on walls
- Architectural subway tile pattern easy to clean gelcoat finish
- Textured slip-resistant floor
- Center drain location

Optional Accessories

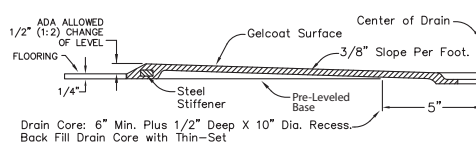
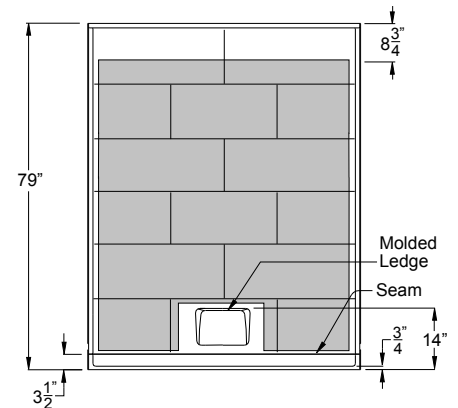
(Installed at job site)

- Collapsible Water Retainer
- Folding Shower Seat
- Caulkless Drain
- Grab Bars
- Shower Rod and Curtain
- Pressure Balance Valve with hand-held shower and slide bar

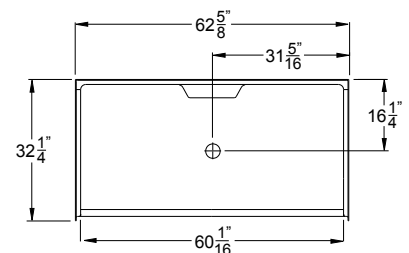


Code Compliance

- ADA, MAS, TAS
- IPC International Plumbing Code
- UPC Uniform Plumbing Code
- ANSI Z124.2 Standards for Plastic Showers
- NAHB
- HUD
- FHA
- CSA

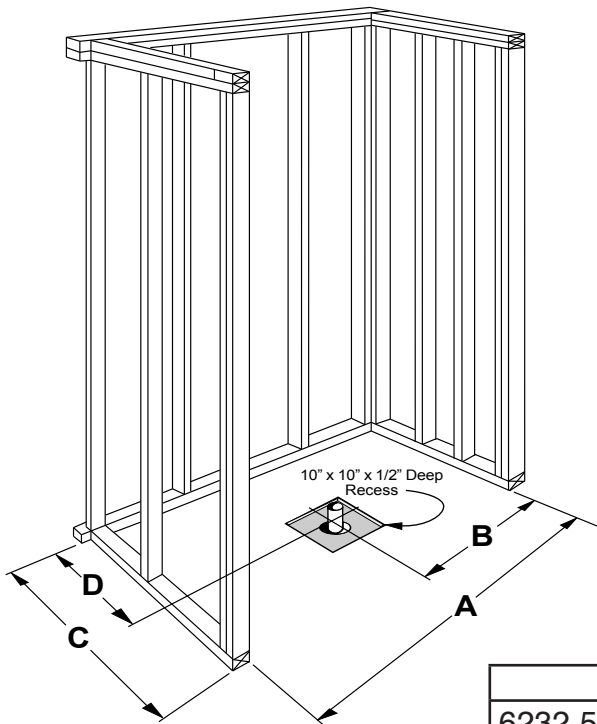
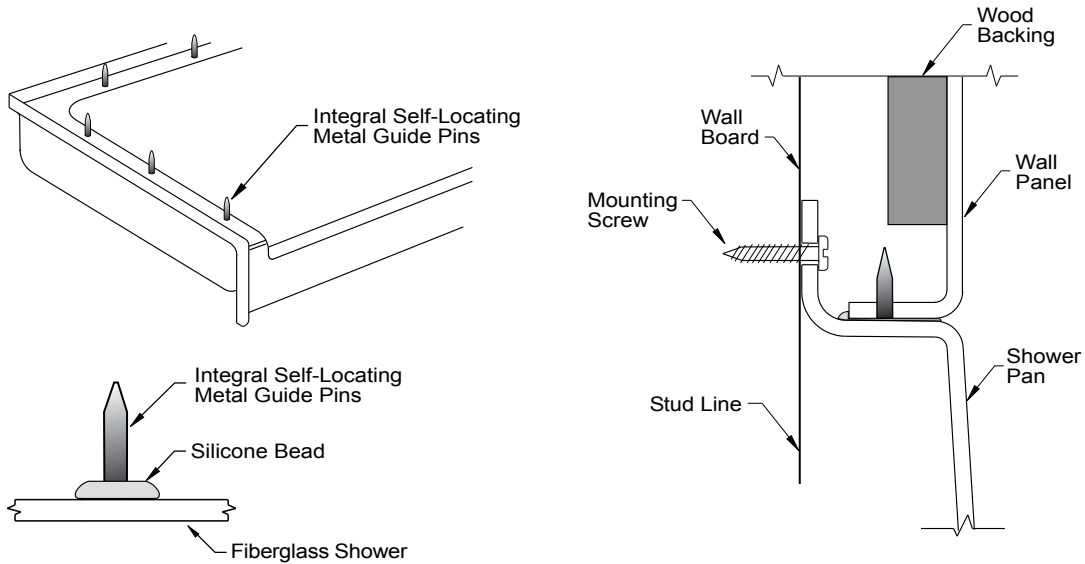


THRESHOLD VIEW



FREEDOM SHOWERS

MODEL: APF6232BF5P.75 Freedom ADA Roll-In Shower Submittal Data - Installation



	A	B	C	D
6232 5P	62 7/8"	31 7/16"	32 1/4"	16 1/4"